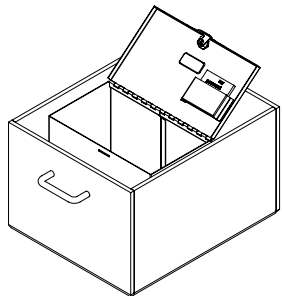


See the entire family of WorkSpace Safes at

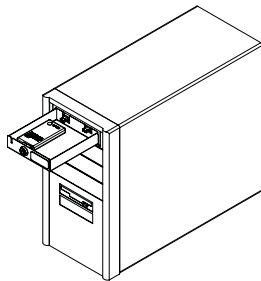
www.WorkSpaceSafes.com



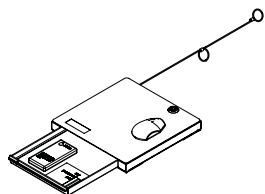
InDesk Safe



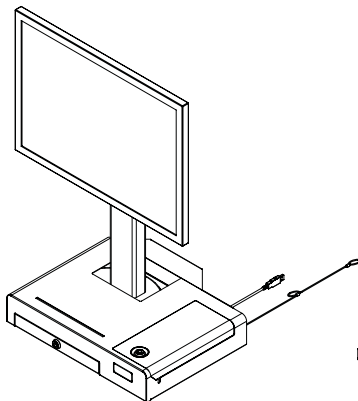
InPocket Safe



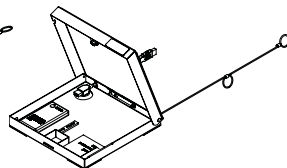
InPC Safe



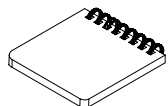
MouseSafe



OnDesk Safe



MouseSafe USB



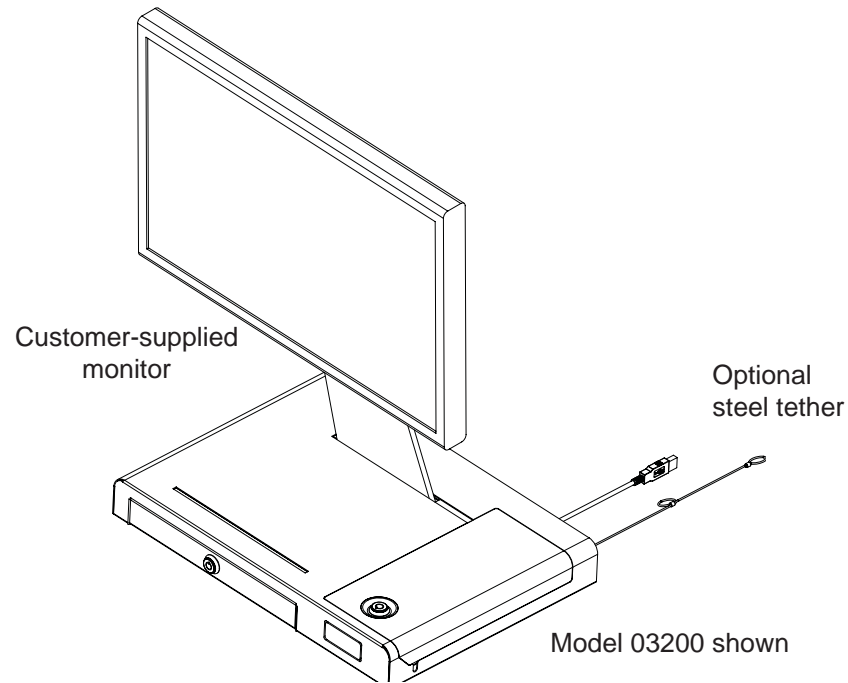
My Password Pad

WorkSpace Safes
1737 Junction Ave
San Jose, CA 95112
24-hour customer service
800-615-7082
www.WorkSpaceSafes.com

See the website for warranty details.

Patent Pending ■ Made in USA

workspace safes™



Customer-supplied
monitor

Optional
steel tether

Model 03200 shown

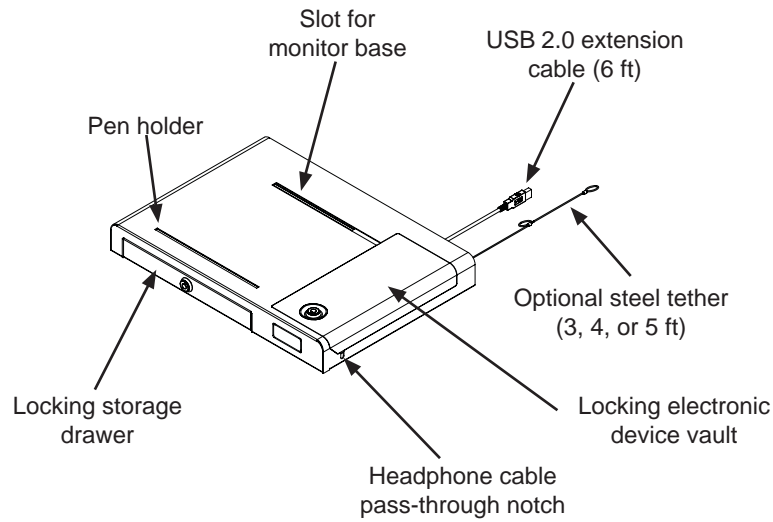
Owner's Manual

OnDesk Models:

03200 (MAC-17/20/23)

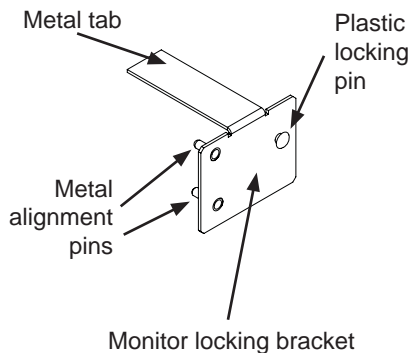
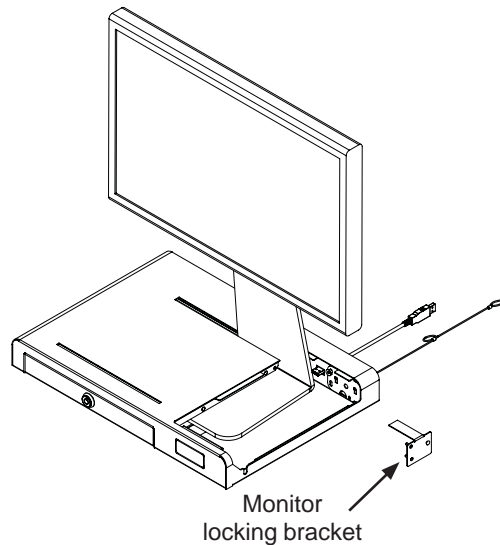
03300 (MAC-24/30/all-in-one iMac)

A Components



B Monitor Installation

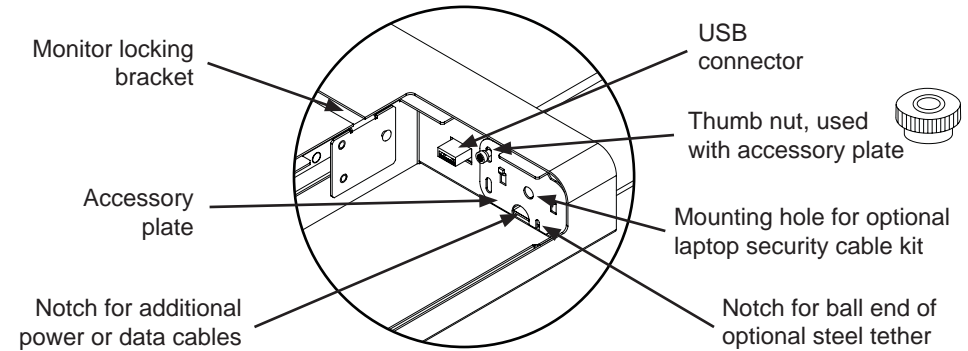
1. Unlock the electronic device vault using the keys provided.
2. Remove the monitor locking bracket by pulling on the plastic locking pin.
3. Slide the monitor base into the OnDesk enclosure.
4. Reinstall the monitor locking bracket by aligning the two metal pins in the holes. Make sure that the metal tab fits over the monitor base. Replace the plastic locking pin.



5. If installing any extra power or data cables for mobile phones, MP3 players, or other electronic devices, remove the accessory plate and feed the cables through the cable notch.
6. Remove the accessory plate by removing the thumb nut and sliding the plate upward.

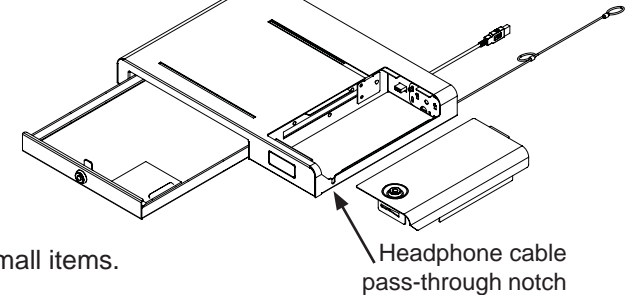
C Monitor Installation (cont'd)

7. Reinstall the accessory plate and tighten the thumb nut.
8. If installing the optional steel tether, make sure that the ball end is inserted into the tether notch.



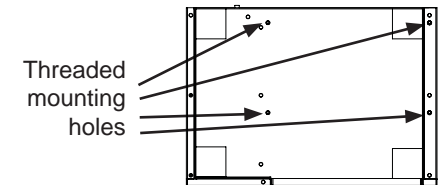
D Electronic Device Vault and Lockable Storage Drawer

9. Electronic devices may be kept under lock and key while charging or connected via USB.
10. A side notch is provided to allow a headphone cable to pass through while the vault is locked.
11. The lockable storage drawer may be used independently of the device vault to secure small items.



E Base Mounting Options

12. Threaded mounting holes are located on the bottom of the OnDesk unit to attach optional base stands or a laptop docking bay. For details on these items, please visit www.WorkSpaceSafes.com.



F Replacement Keys

13. Make sure to write down the key number in a safe place. Do not write the key number in the MyPasswordPad™ if the MyPasswordPad™ will be stored within the OnDesk unit.
14. To order replacement keys, please fill out the form available on the web site at www.WorkSpaceSafes.com.