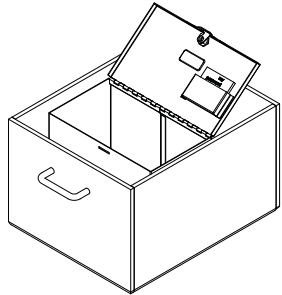


# See the entire family of WorkSpace Safes at

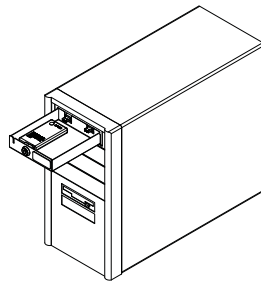
[www.WorkSpaceSafes.com](http://www.WorkSpaceSafes.com)



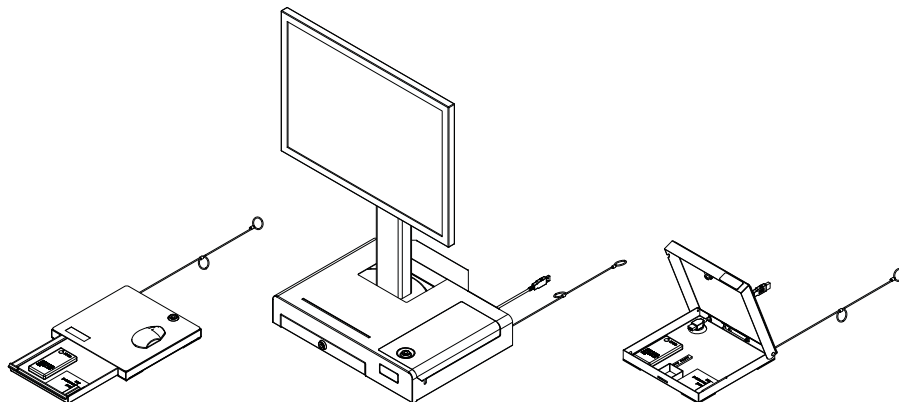
**InDesk Safe**



**InPocket Safe**



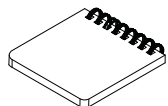
**InPC Safe**



**MouseSafe**

**OnDesk Safe**

**MouseSafe USB**



**My Password Pad**

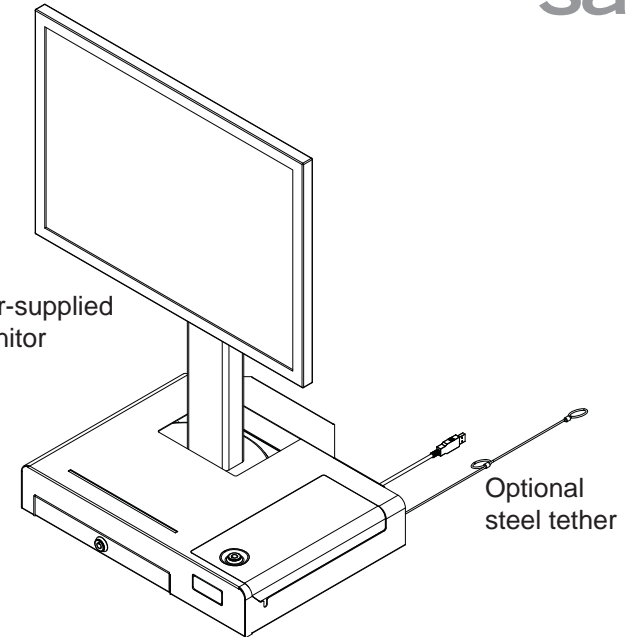
**WorkSpace Safes**  
1737 Junction Ave  
San Jose, CA 95112  
24-hour customer service  
800-615-7082  
[www.WorkSpaceSafes.com](http://www.WorkSpaceSafes.com)

See the website for warranty details.

Patent Pending ■ Made in USA

**workspace**  
**safes**<sup>TM</sup>

Customer-supplied  
monitor



Model 03000 shown

Optional  
steel tether

## Owner's Manual

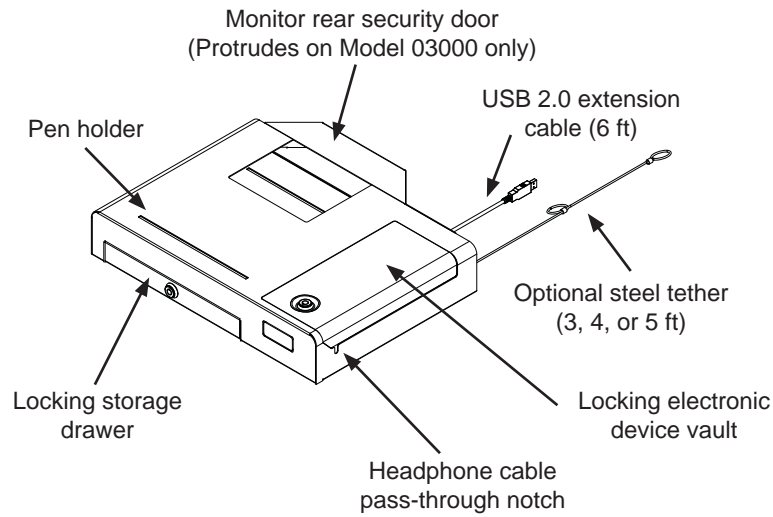
### OnDesk Models:

03100 (PC-small)

03000 (PC-midsize)

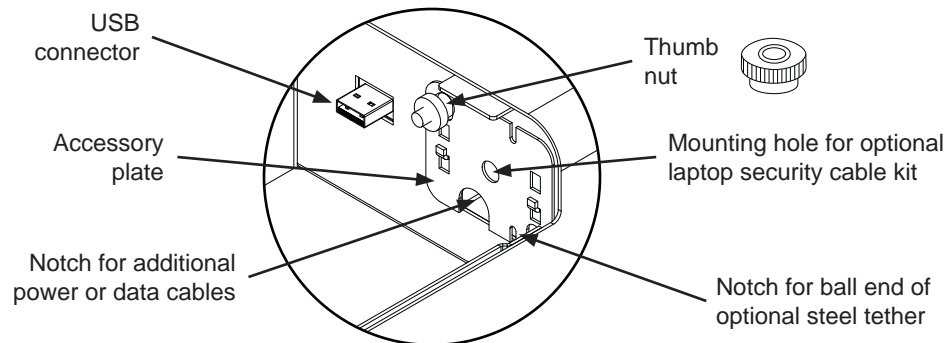
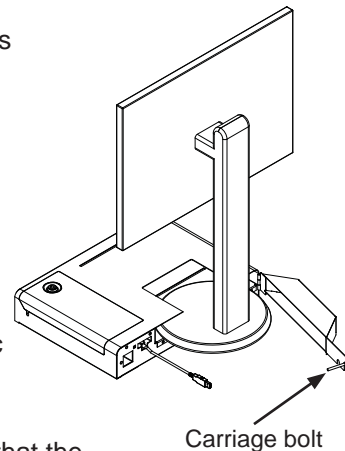
03400 (PC-large)

## A Components



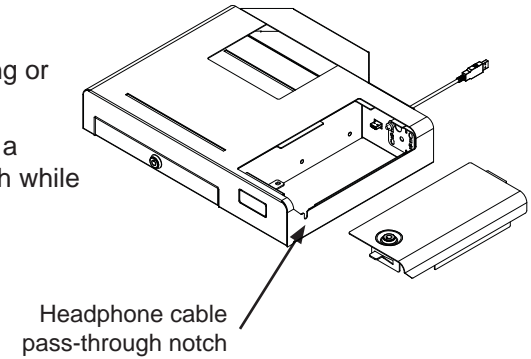
## B Monitor Installation

1. Unlock the electronic device vault using the keys provided.
2. Remove the carriage bolt and thumb nut.
3. Open the monitor rear security door and slide the monitor base into OnDesk Safe.
4. Close the monitor rear security door and attach with a carriage bolt and thumb nut.
5. If installing any extra power or data cables for mobile phones, MP3 players, or other electronic devices, remove the accessory plate and feed the cables through the cable notch.
6. If installing the optional steel tether, make sure that the ball end is inserted into the tether notch.



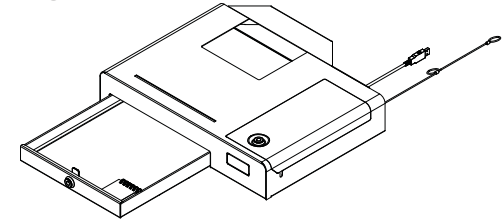
## C Electronic Device Vault

7. Electronic devices may be kept under lock and key while charging or connected via USB.
8. A side notch is provided to allow a headphone cable to pass through while the vault is locked.



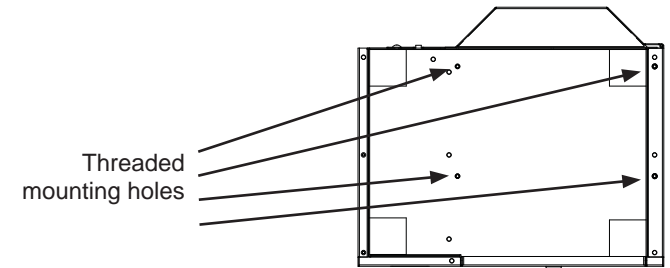
## D Lockable Storage Drawer

9. The lockable storage drawer may be used independently of the device vault to secure small items.



## E Base Mounting Options

10. Threaded mounting holes are located on the bottom of the OnDesk unit to attach optional base stands or a laptop docking bay. For details on these items, please visit [www.WorkSpaceSafes.com](http://www.WorkSpaceSafes.com).



## F Replacement Keys

11. Make sure to write down the key number in a safe place. Do not write the number in MyPasswordPad™ if the MyPasswordPad™ will be stored within the Ondesk unit.
12. To order replacement keys, please fill out the form available on the web site at [www.WorkSpaceSafes.com](http://www.WorkSpaceSafes.com).