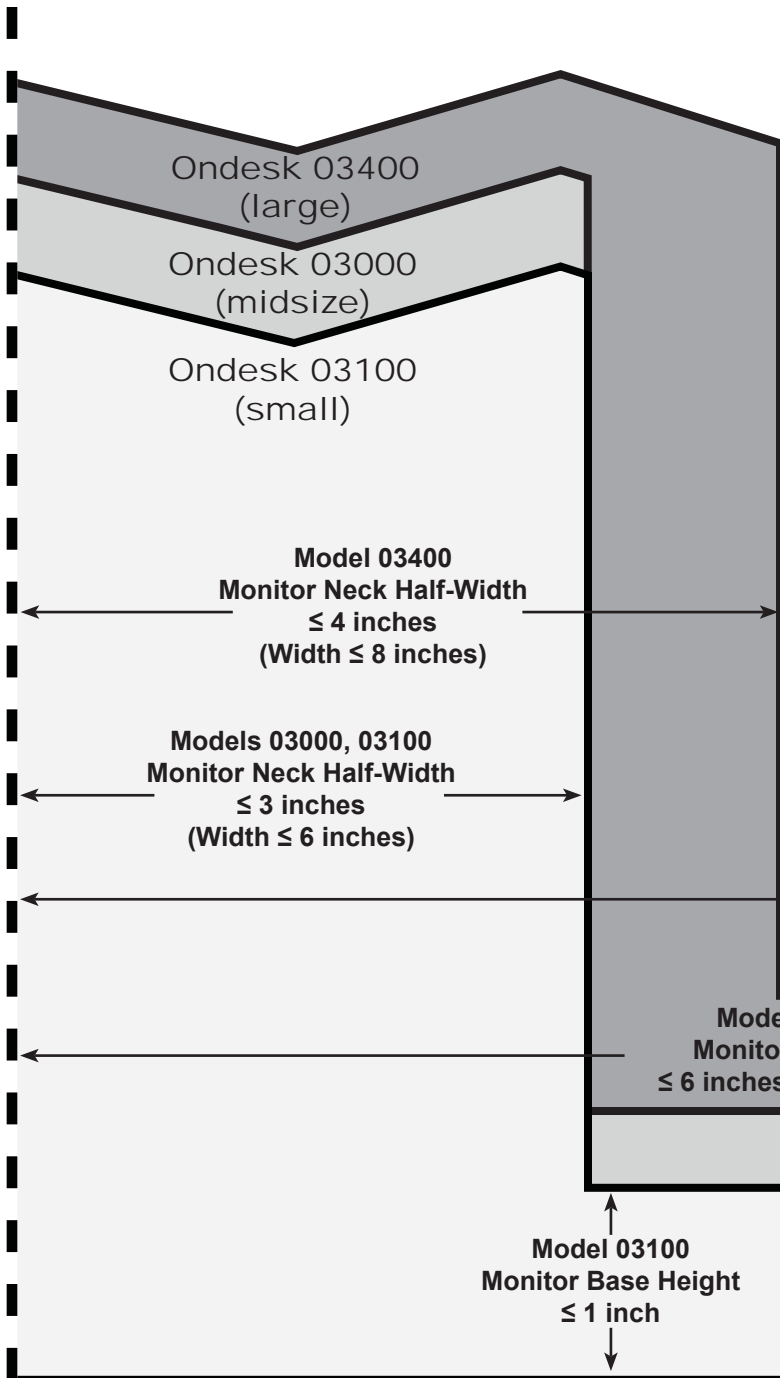


# Sizing Template for Ondesk System

Combination Models 03000, 03100, 03400

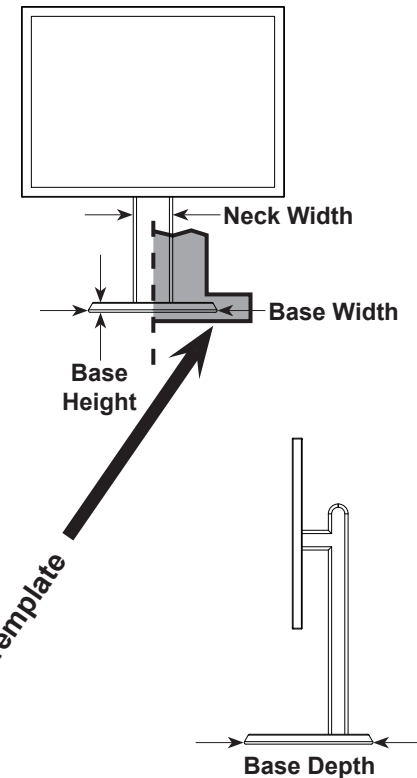


Instructions:

Print template full size @ 8.5" x 11" and use it to check the size of the monitor base. Place the left dashed line directly over the centerline of the monitor neck. Additionally, verify the dimensions in the chart below.

Maximum Dimensions Chart

| MODEL         | NECK WIDTH  | BASE WIDTH     | BASE HEIGHT   | BASE DEPTH   |
|---------------|-------------|----------------|---------------|--------------|
| 03100 small   | $\leq 6$ in | $\leq 12$ in   | $\leq 1$ in   | $\leq 12$ in |
| 03000 midsize | $\leq 6$ in | $\leq 12$ in   | $\leq 1.4$ in | $\leq 14$ in |
| 03400 large   | $\leq 8$ in | $\leq 14.5$ in | $\leq 2$ in   | $\leq 12$ in |



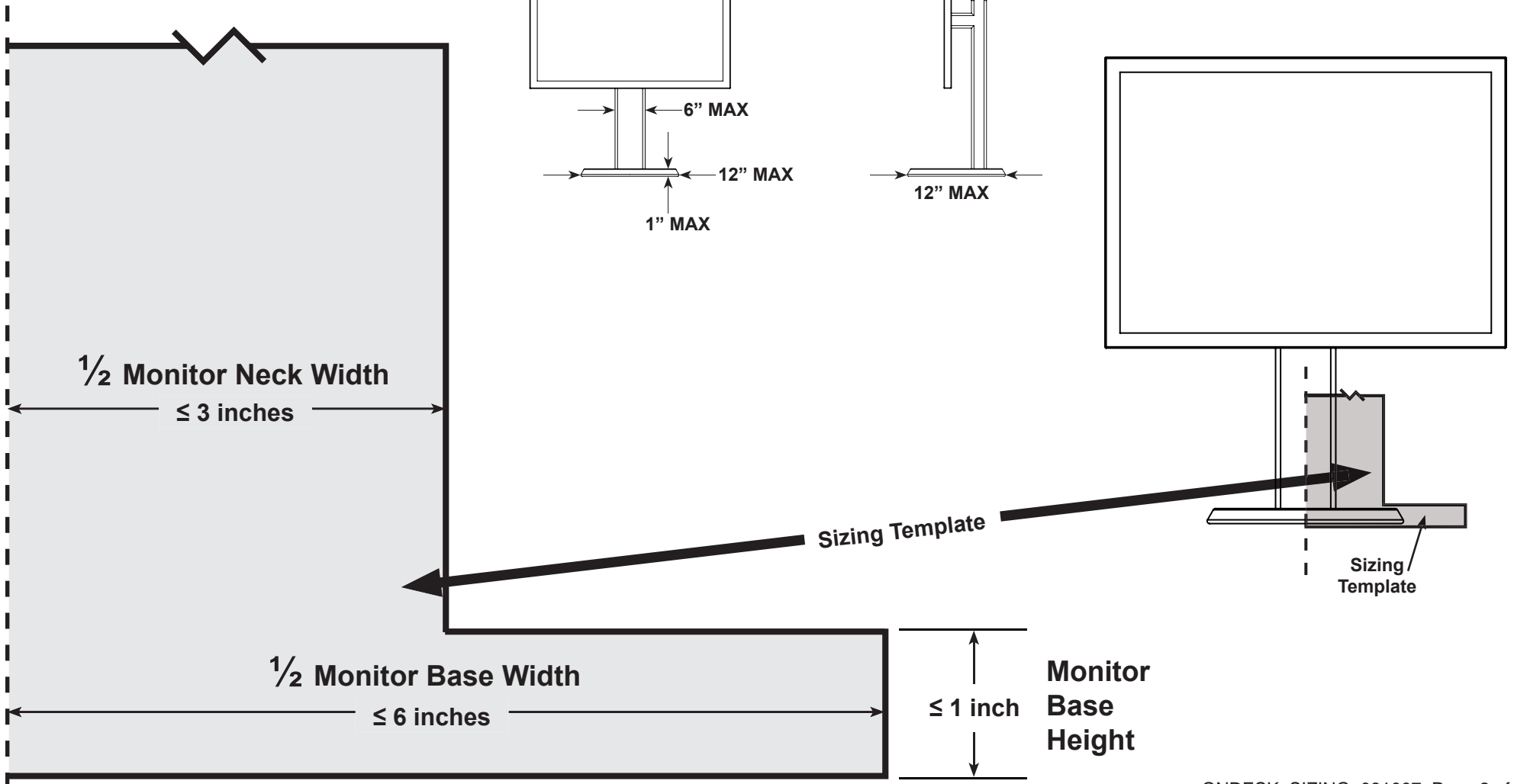
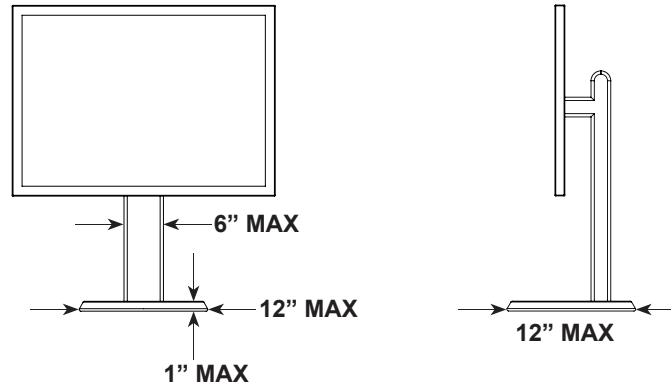
# Sizing Template for Ondesk System

Model 03100 (small)

**Instructions:**

Print template full size @ 8.5" x 11" and use it to check the size of the monitor base. Place the left dashed line directly over the centerline of the monitor neck.

**Maximum Dimensions**



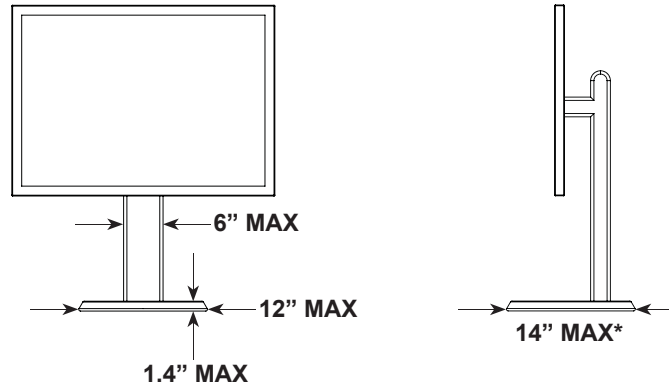
# Sizing Template for Ondesk System

Model 03000 (midsize)

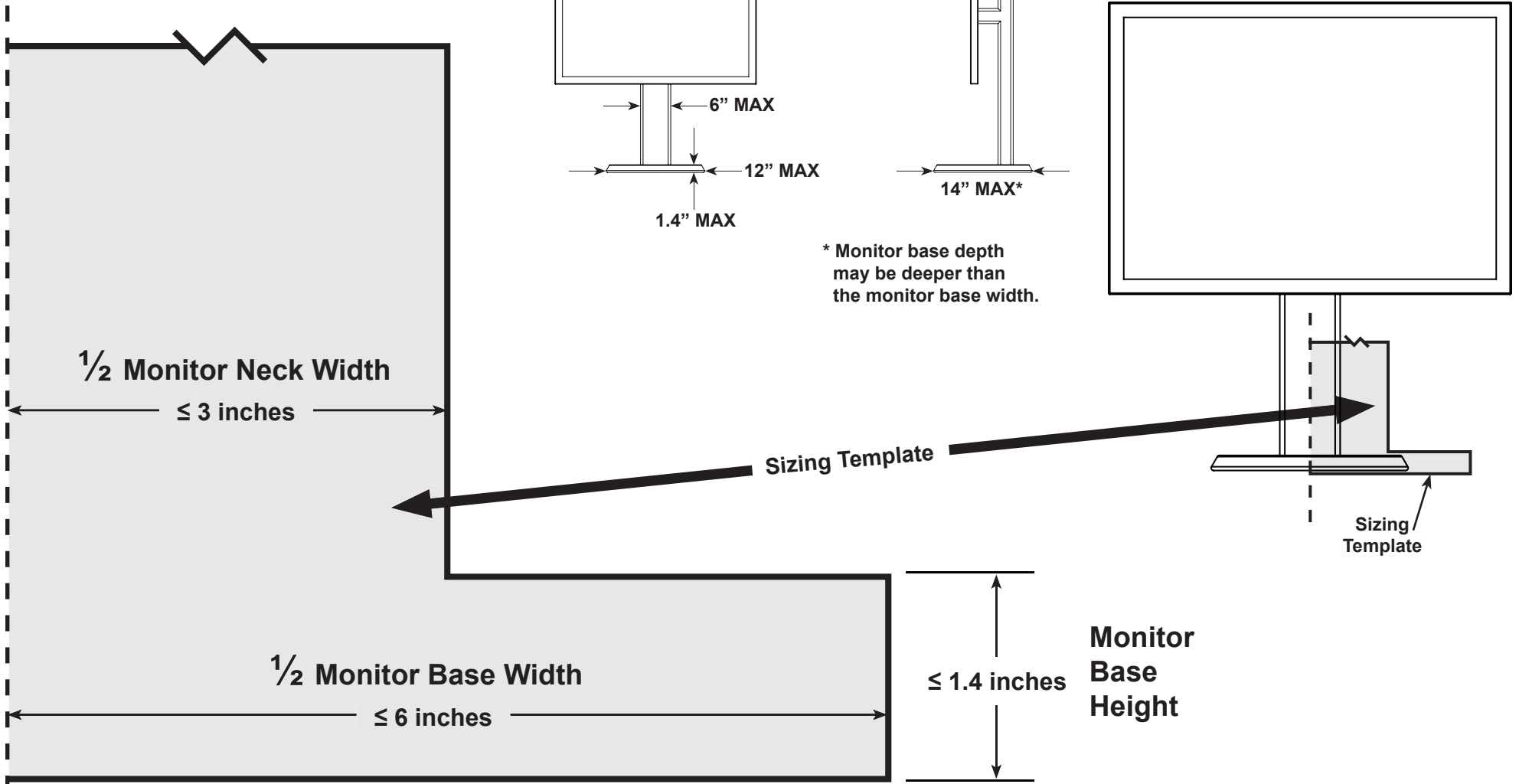
**Instructions:**

Print template full size @ 8.5" x 11" and use it to check the size of the monitor base. Place the left dashed line directly over the centerline of the monitor neck.

**Maximum Dimensions**



\* Monitor base depth may be deeper than the monitor base width.



# Sizing Template for Ondesk System

Model 03400 (large)

**Instructions:**

Print template full size @ 8.5" x 11" and use it to check the size of the monitor base. Place the left dashed line directly over the centerline of the monitor neck.

