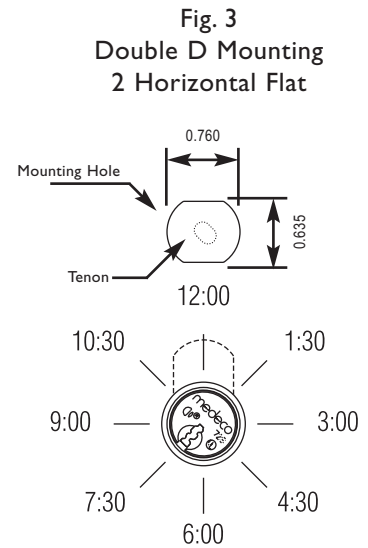
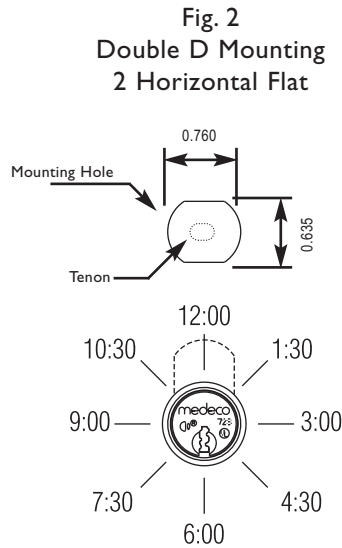
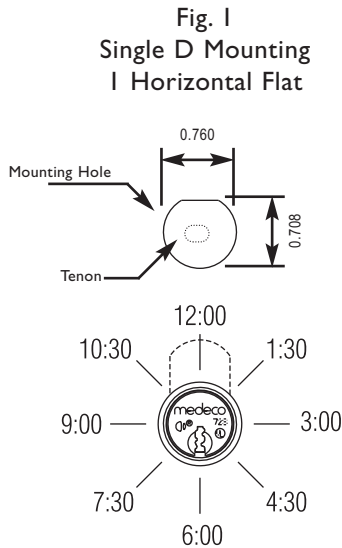


Mounting Detail & Operation Codes

Keyway and tenon shown in locked positions relative to mounting flats. Exceptions - 149 and 249 functions, rotate 90° clockwise for locked positions.



Cylinders shown in locked positions.

Table 2

Operation Code	# of Mounting Flats	Reference Fig.	Direction	Keyway Rotation			# of Keypulls
				Travel	Locked	Unlocked	
119	1	1	Clockwise	90°	6:00	9:00	1
129	1	1	Clockwise	90°	6:00	9:00	2
139	1	1	Counterclockwise	90°	6:00	3:00	1
149	1	1	Counterclockwise	90°	9:00	6:00	2
159	1	1	Clockwise	180°	6:00	12:00	1
169	1	1	Clockwise	180°	6:00	12:00	2
179	1	1	Counterclockwise	180°	6:00	12:00	1
189	1	1	Counterclockwise	180°	6:00	12:00	2
219	2	2	Clockwise	90°	6:00	9:00	1
229	2	3	Clockwise	90°	7:30	10:30	2
239	2	2	Counterclockwise	90°	6:00	3:00	1
249	2	3	Counterclockwise	90°	10:30	7:30	2
259	2	2	Clockwise	180°	6:00	12:00	1
269	2	2	Clockwise	180°	6:00	12:00	2
279	2	2	Counterclockwise	180°	6:00	12:00	1
289	2	2	Counterclockwise	180°	6:00	12:00	2