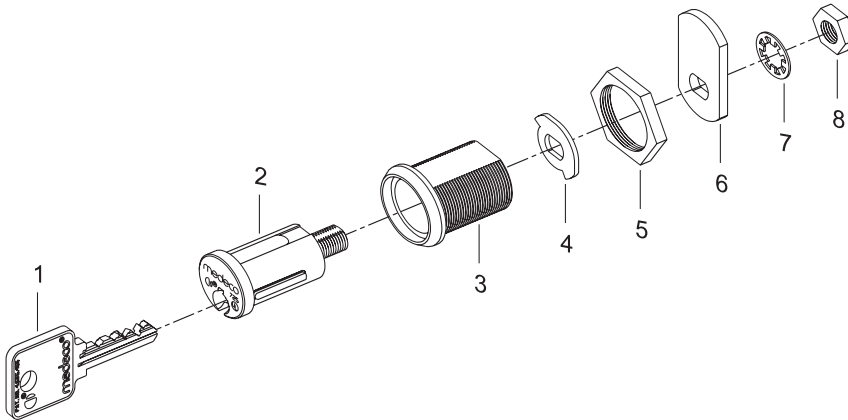


Exploded View

All Medeco® high security cam locks are UL® 437 listed and meet all ANSI A156.11 Grade 1 specifications. All Medeco® cam locks are thick head. For Original cam locks, the thick head is required to key in with door security products. Medeco 60 series cam locks are sold less keys. Specify number of keys under a separate line item. Cams sold separately, reference cams and accessories section to select proper cam type.

HIGH SECURITY CAM LOCK



ITEM

DESCRIPTION

1	Key (sold separately)
2	Plug Assembly
3	Shell
4	Stop
5	3/4" Nut
6	Cam (sold separately)
7	Lock washer
8	9/32" Nut